

Brass Y Strainer PN16/235PSI/Class125

BSEN12288, Threaded Ends Comply to BSPT or ANSI 2.1

Hydraulic Pressure Test	
Body	2.4Mpa/24Bar

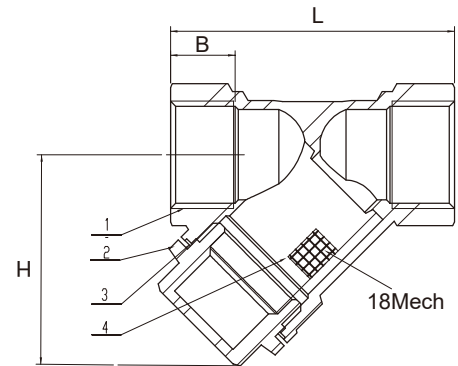
Pressure Ratings	
0.9 Mpa at 180°C	
2.0 Mpa at -20°C-100°C	



Y103
1/2" - 2"

Materials List

No	Part	Specification	BS EN	ASTM
1	Body	Brass	CW612N	C37700
2	Bonnet	Brass	CW612N	C37700
3	Sealing Ring	PTFE	PTFE	PTFE
4	Strainer Screen	Stainless Steel	BSEN 10088-1	304SS 18MESH



Dimensions-Weights

mm		15	20	25	32	40	50
In		1/2	3/4	1	1 1/4	1 1/2	2
L		55	65	80	89.5	100.5	126
H		41	46	55	65	75	91
B		12.5	12.5	15	19	17.5	20
Weight	Lbs	0.35	0.42	0.79	1.21	1.63	2.80
	Kg	0.16	0.19	0.36	0.55	0.74	1.27

Each TALOAR brass valve has been thoroughly cleaned and degreased and packed separately in the sealed polythene bag.